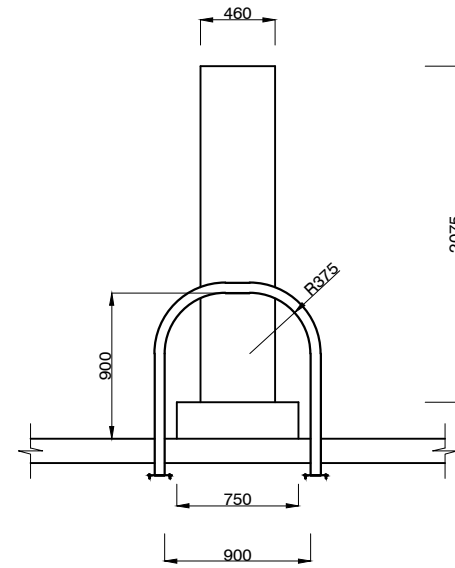


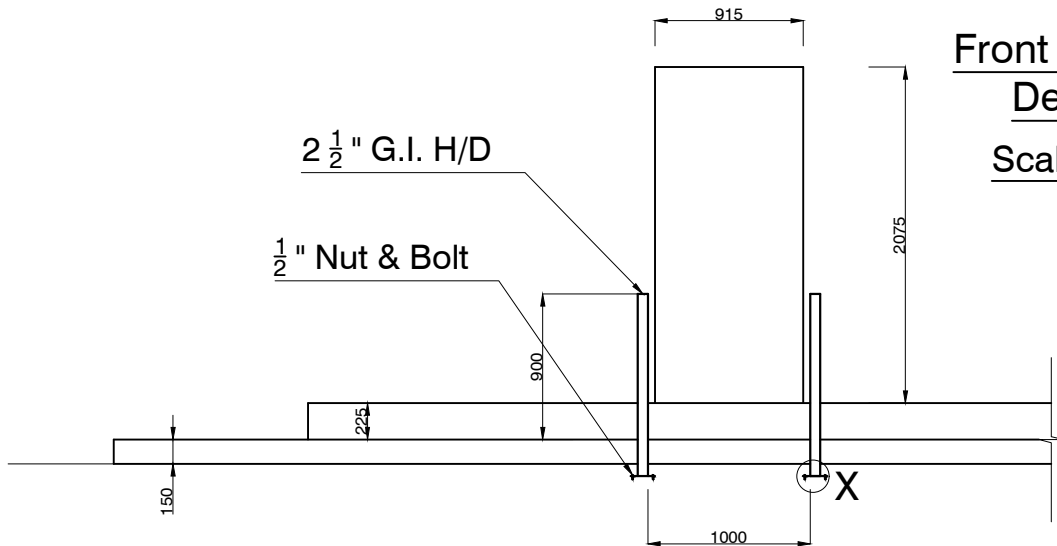
Front Elevation - Detail 'A'

Scale- 1:50



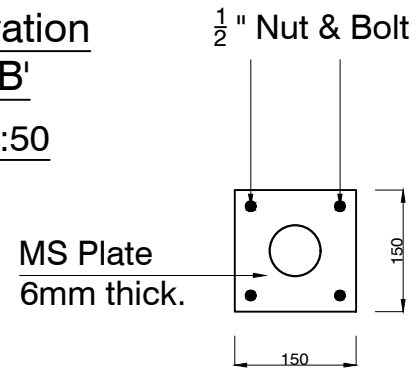
Side Elevation - Detail 'C'

Scale- 1:50



**Front Elevation
Detail 'B'**

Scale- 1:50



Detail at 'X'

Scale- 1:10

REV	DESCRIPTION	DATE



ENGINEERING PROJECT,
109, ROTUNDA TOWER
COLOMBO - 3.
T.P.NO: 544296,473644
FAX NO: 473979

PROJECT:
PROPOSED RE-STRUCTURING OF
LANKA FILLING STATION

TITLE:
DETAIL OF PUMP GUARDS

DESIGN ENGINEER
I. M. GODAGE

DRAWING NO: CEYPET / ENG / SK / 0060

SCALE: 1:50 **DATE:** 31.07.2006

DRAWN BY: SASHIKA

CHECKED BY:

APPROVED BY: